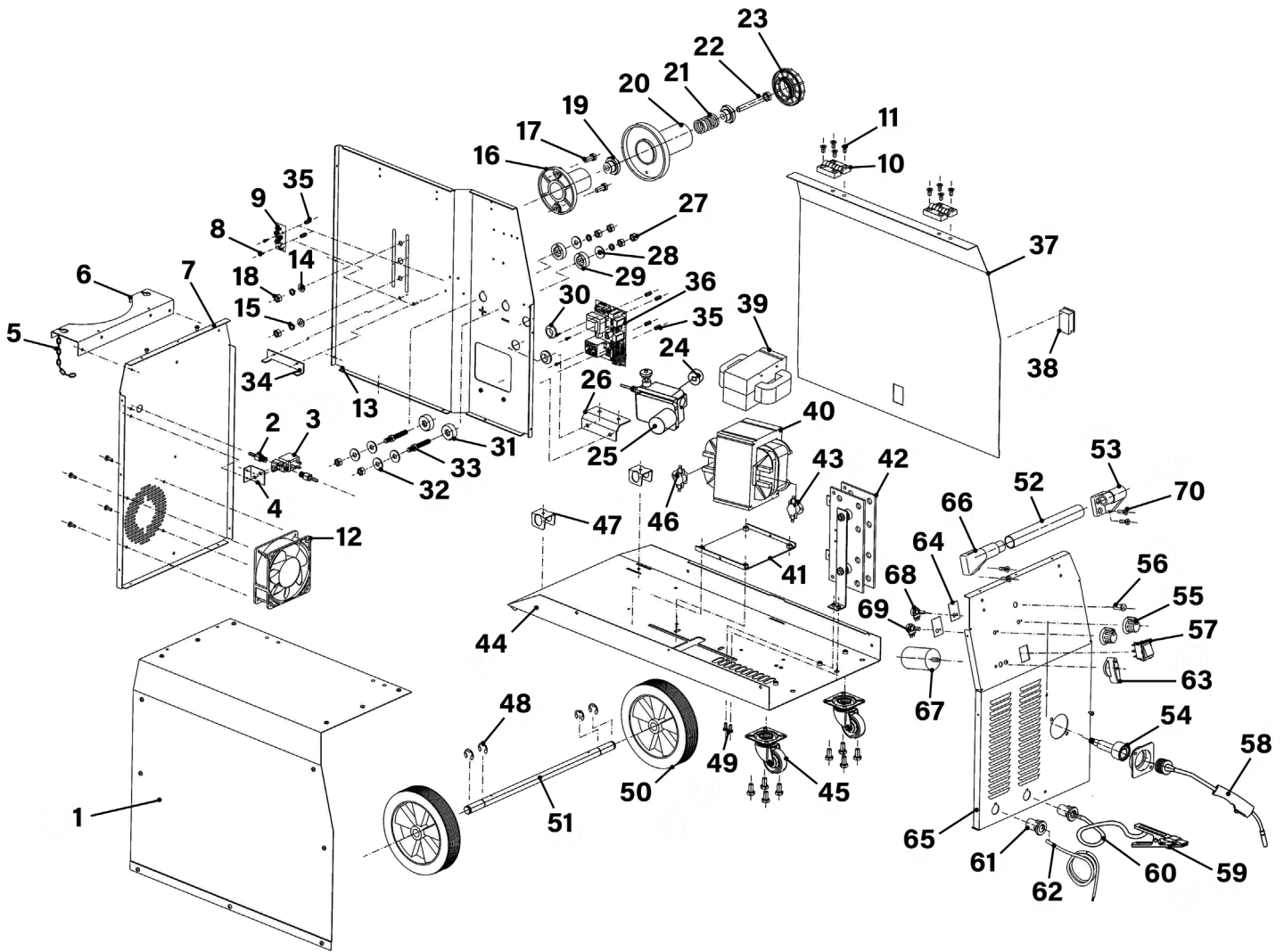


Parts Information:
**Professional MIG Welder 180A 230V with
 Binzel® Euro Torch**
Model No: SUPERMIG180.V5



Item	Part No.	Description
1	SMIG180-V5-01	Side Panel, Left
2	M-MIG210V2.03	Valve Connector
3	M/MIG250.66	Valve Assembly
4	M/MIG210.03	Valve Bracket
5	M/MIG210.04	Chain
6	SMIG230-V3-06	Gas Bottle Support
7	SMIG230-V3-07	Back Panel
8	SMIG150-V5-16	Plastic Screw M3 x 8
9	SMIG230-V3-09	Filter PCB
10	SMIG230-V3-10	Hinge
11	SMIG230-V3-11	Screw M6x10

Item	Part No.	Description
12	SMIG230-V3-12	Fan
13	SMIG230-V3-13	Inner Panel
14	FWM8.SB	Flat Washer M8 Black
15	SWM8.SB	Spring Washer M8 Black
16	SMIG230-V3-16	Spindle for Wire Reel
17	SS820.S	Hex Head Set Screw M8 X 20 Zinc
18	SN8.S	Steel Nut M8 Zinc
19	M/MIG250.33	PCB, Circuit Board, 227 X 54mm
20	M/MIG250.54	Spool holder
21	M/MIG250.55	Spring Dia 30.1mm
22	HHB1080.S	Hex Head Bolt M10 x 80mm

NOTE: It is our policy to continually improve products and as such we reserve the right to alter data, specifications and component parts without prior notice. There may be alternative versions of this product, please contact us should you require this information.

IMPORTANT: No liability is accepted for incorrect use of product. Spare parts must be fitted by a competent person

WARRANTY: Guarantee is 12 months from purchase date, proof of which will be required for any claim.



Parts Information:
**Professional MIG Welder 180A 230V with
Binzel® Euro Torch
Model No: SUPERMIG180.V5**

Item	Part No.	Description
23	M/MIG250.56	Retainer
24	SMIG275.52	Wire Feed Roller 0.6-0.8mm
25	M/MIG250.60	Wire Feed Motor (Internal 24v)
26	SMIG180-V5-26	Wire Feed Support
27	M/MIG190.27	Hex Full Nut M8 brass
28	RW825.S	Repair Washer M8 X 25 Zinc
29	M/MIG250.36	Insulating Washer
30	M/MIG210.30	Rubber Ring
31	M/MIG250.38	Insulating Washer
32	RW825.S	Repair Washer M8 X 25 Zinc
33	M/MIG190.33	Bolt M8x55
34	SMIG180-V5-34	Filter Reactor Bracket
35	SMIG150-V5-14	Plastic Isolation Column
36	SMIG230-V3-36	Wire Feed PCB
37	SMIG180-V5-37	Door Panel
38	SMIG150-V5-05	Latch
39	SMIG180-V5-39	Filter Reactor
40	SMIG180-V5-40	Transformer
41	SMIG230-V3-41	Transformer Support
42	SMIG180-V5-42	Rectifier (c/w Support)
43	SMIG230-V3-43	Thermal Control 250V 20A
44	SMIG230-V3-44	Bottom Panel
45	SMIG230-V3-45	Wheel, Swivel Castor
46	SMIG230-V3-46	Thermal Protection 250A 20A
47	SMIG230-V3-47	Axle Support

Item	Part No.	Description
48	SMIG230-V3-48	E-Clip 12mm
49	SMIG230-V3-49	Screw M5x12
50	SMIG230-V3-50	Wheel, Fixed
51	SMIG230-V3-51	Wheel Axle
52	SMIG230-V3-52	Handle
53	SMIG230-V3-53	Handle Support (Right)
54	SMIG230-V3-54	Torch Holder Assembly
55	SMIG150-V5-39	Potentiometer Knob
56	SMIG230-V3-56	Overload Indicator Light
57	SMIG230-V3-57	Switch, On/Off Illuminated Rocker
58	M-MIG210V2.58	Euro Welding Torch 3mtr - Ergo 15.2
59	M/MIG210.59	Clamp (earth)
60	SMIG230-V3-60	Earth Cable
61	M/MIG170.63	Cable Grip
62	SMIG230-V3-62	Line Cable
63	SMIG230-V3-63	Voltage Control Knob
64	SMIG150-V5-42	Potentiometer Insulating Plate
65	SMIG180-V5-65	Door Panel
66	SMIG230-V3-66	Handle Support (Left)
67	SMIG230-V3-67	Switch, Rotary Voltage Control
68	SMIG230-V3-68	Potentiometer Wire Feed Adjustment
69	SMIG230-V3-69	Potentiometer Spot Feed Adjustment
70	MSP620.SB	Machine Screw Pan Head Phillips M6 x 20mm Black

NOTE: It is our policy to continually improve products and as such we reserve the right to alter data, specifications and component parts without prior notice. There may be alternative versions of this product, please contact us should you require this information.

IMPORTANT: No liability is accepted for incorrect use of product. Spare parts must be fitted by a competent person

WARRANTY: Guarantee is 12 months from purchase date, proof of which will be required for any claim.

Sealey Group, Kempson Way, Suffolk Business Park, Bury St Edmunds, Suffolk. IP32 7AR



01284 757500



sales@sealey.co.uk



www.sealey.co.uk